



Easy installation combined with compact dimensions, functionality, and excellent quality.

## TECH SPEC

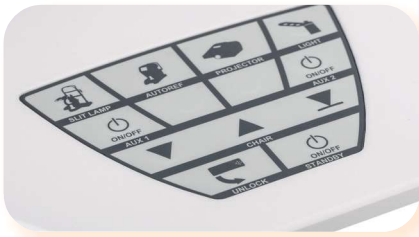
- Equipped with electrically elevated SLIM chair (available in black upholstery only) with optional footrest
- Sliding, fixed height table top for 2 instruments
- Auto ref/keratometer, slit lamp DC power supply and illumination adjustment knobs built-in the table top
- Convenient control panel
- ALU post with efficient, foldable and revolving LED and universal chart projector adapter
- Easy right- or left-handed factory preset or onsite setup
- Side/front/rear casings and table tops painted in RAL7047
- Steel base powder coated in RAL9006
- EU Declaration of Conformity provided



PA-1000\*



PA-3000\*



Control panel



Auxiliary outlet panel



Pivotal arm with trial lenses tray and cassette\*/\*\*



EASY with SLIM chair (right-handed setup)



Left-handed setup\*



EASY with COMFORT chair\*



Chart projector shelf\*



COMFORT chair with built-in reclining & swivel system\*



Phoropter controller support arm\*



CBS-1000

\*- optional feature

\*\*- PL-232/BR-260 Trial Lens Set – optional feature

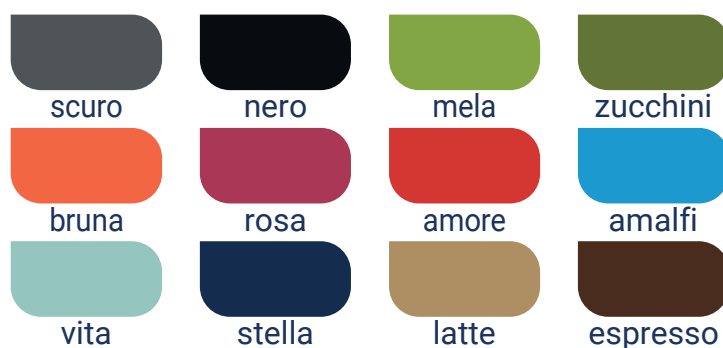
## OPTIONAL EXTRAS

- Footrest for SLIM chair
- COMFORT chair electrically elevated; with armrests, footrest, reclining & swivel systems built-in, NERO (black) upholstery as a standard
- Wide selection of upholstery colours available for COMFORT chair with a surcharge
- PA-1000 counterbalanced phoropter arm (equipped with a gas spring)
- PA-3000 linear phoropter arm (with upward/downward chair movement switches built-in)
- Pivotal arm with trial lenses tray and cassette
- Chart projector shelf
- CBS-1000 Control Box Stand
- Phoropter controller support arm
- Ophthalmoscope/retinoscope rack
- Universal chin rest adapter

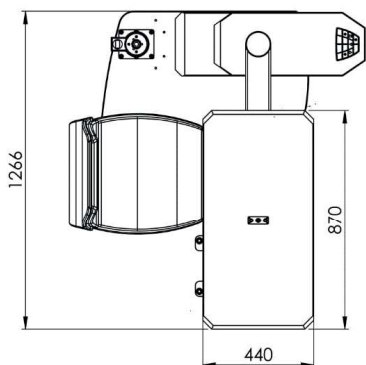
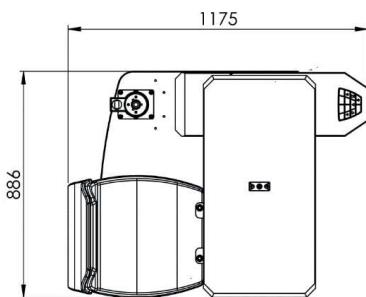
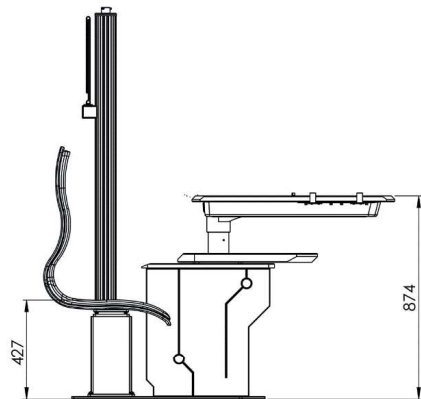
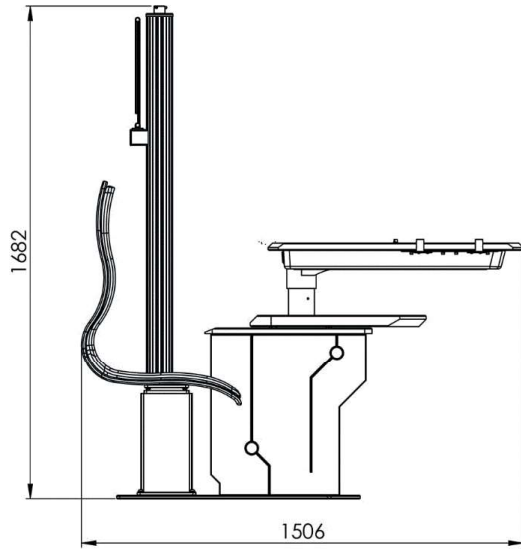
<b>Dimensions</b>	<b>SLIM CHAIR</b>	<b>COMFORT CHAIR</b>
Width	886 - 1 266mm	972 - 1 266mm
Depth (reclined chair, extended table top)	1 175 - 1 506mm (n/a)	1 265 - 1 596mm (2 352mm)
Height	1 682mm	
Chair height working range	427 - 627mm	493 - 693mm
Table top dimensions	870 x 440mm	
Table top height (fixed)	874mm	
Table top working range (height adjustable)	n/a	

## Technical specification

Supply voltage	100 - 240V AC, 50/60Hz
Power	280VA
LED lamp power	9W
Power supply cord	3m with UniSchuko plug
Max. table top load	50kg
Max. chair load	150kg
Max. power of devices connected to 2x C-13 sockets	450VA
Power supply voltage at the table top sockets (SL/AUX1)	1.5 - 24V DC
Supply current of the slit lamp fixator	0 - 100mA (LED) or 0 - 250mA (bulb)
Packaging	1 pallet, 120x80x160cm, ca. 200kg (gross)



## EASY WITH SLIM CHAIR



## EASY WITH COMFORT CHAIR

