

ECO PLUS

refraction unit



Our bestseller thanks to the widest selection of optional features, and right- or left- handed factory setup available.

TECH SPEC

- Equipped with electrically elevated COMFORT chair with footrest (swivel and reclining systems - optional)
- 2 instruments sliding table top with optional electrical height adjustment
- Auto ref/keratometer, slit lamp DC power supply and illumination adjustment knobs built-in the table top
- Simple connection of different types of slit lamps (SL): LED/halogen
- Convenient control panel
- Easily accessible accessories drawer with a cassette for trial lens set
- ALU post with efficient, foldable and revolving LED lamp and chart projector shelf
- Wide selection of upholstery colours available without a surcharge
- Right-handed setup as a standard, left-handed available upon order only
- Side casings painted in RAL7024, decors in RAL1034
- Table tops painted in RAL7024
- Steel base powder coated in RAL9006
- EU Declaration of Conformity provided



PA-1000*



PA-3000*



Control panel



Auxiliary outlets panel***



PL-232/BR-260 Trial Lens Set*



ECO PLUS with COMFORT chair (right-handed setup)



Left-handed setup*



Reclining system**



PREMIUM chair*



Swivel system**



CBS-1000

* - optional feature

** - optional reclining and/or swivel systems

*** - data transfer ports (USB 2.0, RS-232) - option

OPTIONAL EXTRAS

- Reclining COMFORT chair 33° (±1,5)
- Swivel COMFORT chair 85° (±3)
- PREMIUM chair with foldable armrests and footrest, electrically elevated, reclining/swivel system built-in
- PA-1000 counterbalanced phoropter arm (equipped with a gas spring)
- PA-3000 linear phoropter arm (with upward/downward chair movement switches built-in)
- Table top with electrical height adjustment, equipped with a safety device
- Customised main body colours
- Left-handed setup (available upon order only)
- Data transfer ports (USB 2.0, RS-232)
- CBS-1000 Control Box Stand
- Ophthalmoscope/retinoscope rack

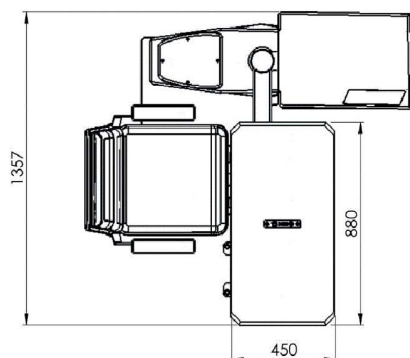
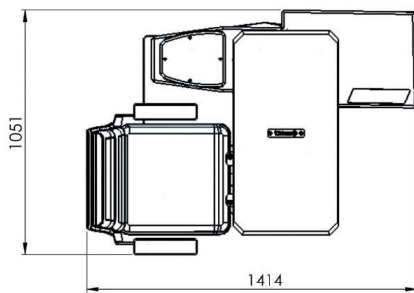
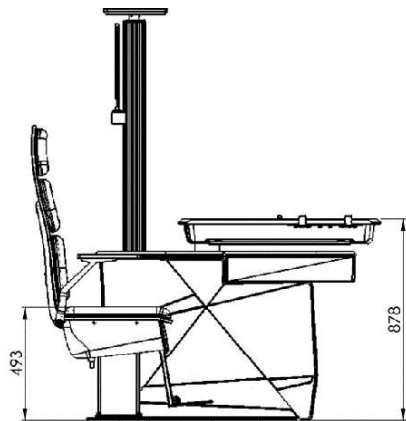
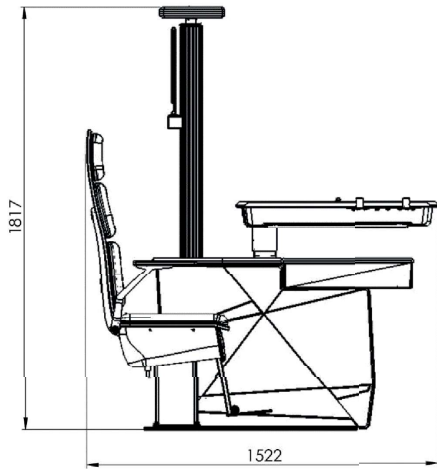
Dimensions	COMFORT CHAIR	PREMIUM CHAIR
Width	1 051 - 1 357mm	1 037 - 1 357mm
Depth (reclined chair, extended table top)	1 414 - 1 522mm (1 885mm)	1 373 - 1 481mm (2 246mm)
Height	1 817mm	
Chair height working range	493 - 693mm	507 - 707mm
Table top dimensions	880 x 450mm	
Table top height (fixed)	878mm	
Table top working range (height adjustable)	878 - 978mm	

Technical specification

Supply voltage	100 - 240V AC, 50/60Hz
Power	280VA
LED lamp power	9W
Power supply cord	3m with UniSchuko plug
Max. table top load	50kg
Max. chair load	150kg
Max. power of devices connected to 2x C-13 sockets	450VA
Power supply voltage at the table top sockets (SL/AUX1)	1.5 - 24V DC
Supply current of the slit lamp fixator	0 - 100mA (LED) or 0 - 250mA (bulb)
Packaging	1 pallet, 120x80x160cm, ca. 256kg (gross)



ECO PLUS WITH COMFORT CHAIR



ECO PLUS WITH PREMIUM CHAIR

