

SMART PLUS

refraction unit



Fancy design combined with ergonomics and a wide range of optional features. Offered in right-handed setup only.

TECH SPEC

- Equipped with electrically elevated COMFORT chair with footrest (swivel and reclining systems - optional)
- 2 instruments sliding table top with optional electrical height adjustment
- Auto ref/keratometer, slit lamp DC power supply and illumination adjustment knobs built-in the table top
- Simple connection of different types of slit lamps (SL): LED/halogen
- Convenient control panel
- Pivotal arm with easily accessible trial lenses tray
- Diagonal ALU post with efficient, foldable and revolving LED lamp and chart projector shelf
- Wide selection of upholstery colours available without a surcharge
- Right-handed setup only
- Side casings painted in RAL9003
- Table tops painted in RAL7047
- Steel base powder coated in RAL9006
- EU Declaration of Conformity provided



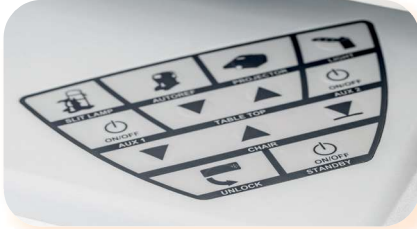
PA-1000*



SMART PLUS with COMFORT chair



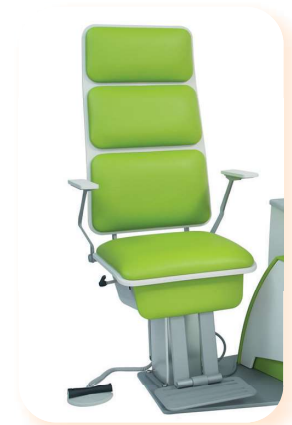
PREMIUM chair*



Control panel



Reclining system**



COMFORT chair reclining** and/or swivel**



Auxiliary outlets panel***



Swivel system**



CBS-1000



PL-232/BR-260 Trial Lens Set*

*- optional feature

**- optional reclining and/or swivel systems

***- data transfer ports (USB 2.0, RS-232) – option

OPTIONAL EXTRAS

- Reclining COMFORT chair 33° (±1,5)
- Swivel COMFORT chair 85° (±3)
- PREMIUM chair with foldable armrests and footrest, electrically elevated, reclining/swivel system built-in
- PA-1000 counterbalanced phoropter arm equipped with a gas spring
- PA-3000 - n/a
- Table top with electrical height adjustment, equipped with a safety device
- Customised side casings colours
- Data transfer ports (USB 2.0, RS-232)
- CBS-1000 Control Box Stand
- Ophthalmoscope/retinoscope rack

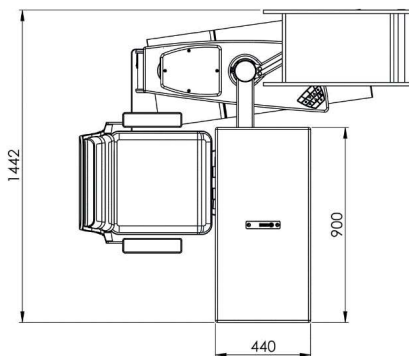
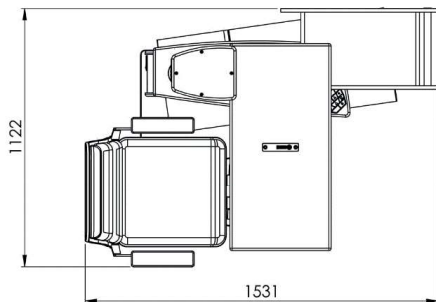
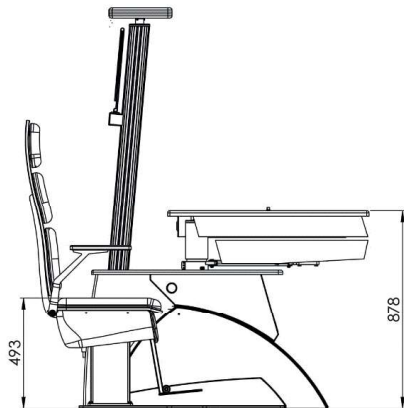
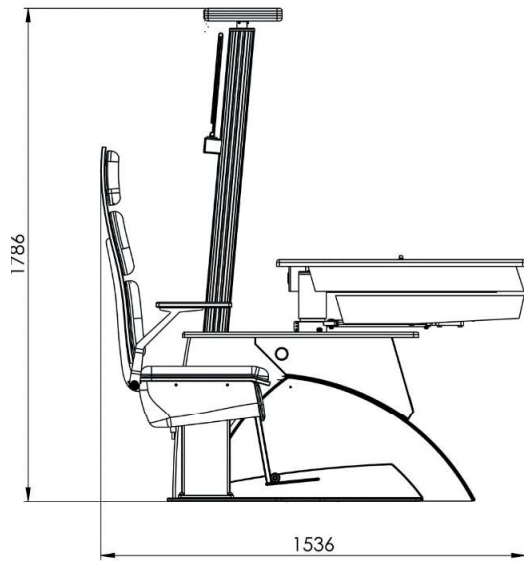
Dimensions	COMFORT CHAIR	PREMIUM CHAIR
Width	1 122 - 1 442mm	1 107 - 1 442mm
Depth (reclined chair, extended table top)	1 531 - 1 536mm (2 289mm)	1 489 - 1 495mm (2 260mm)
Height	1 786mm	
Chair height working range	493 - 693mm	507 - 707mm
Table top dimensions	900 x 440mm	
Table top height (fixed)	878mm	
Table top working range (height adjustable)	878 - 978mm	

Technical specification

Supply voltage	100 - 240V AC, 50/60Hz
Power	280VA
LED lamp power	9W
Power supply cord	3m with UniSchuko plug
Max. table top load	50kg
Max. chair load	150kg
Max. power of devices connected to 2x C-13 sockets	450VA
Power supply voltage at the table top sockets (SL/AUX1)	1.5 - 24V DC
Supply current of the slit lamp fixator	0 - 100mA (LED) or 0 - 250mA (bulb)
Packaging	1 pallet, 120x80x160cm, ca. 258kg (gross)



SMART PLUS WITH COMFORT CHAIR



SMART PLUS WITH PREMIUM CHAIR

